



# MAXIMUM CANOPY

## SPECIFICATIONS VEGETATION LIGHT MC580VC (Set A)

Light Source	LED
Spectrum	Full Spectrum
Light Output PPF	1224 umol/s
Light Output PPF *Boost Mode	1450 umol/s
LED Chips	5054 High power ultra high efficiency 3W LED
Efficacy	2.55 $\mu\text{mol/J}$ @ 277V AC
AC Input Power	480W @ 277V AC
AC Input Power *Boost Mode	580W @ 277V AC
AC Input Voltage	120-277V AC, 50/60Hz
Light Distribution	120°
Mounting Height	1" - 12" (2.5cm - 30.5cm) above canopy of a plant
Thermal Management	Passive
Max. Ambient Temperature	95°F / 35°C
Dimming	0-10V/PWM Source
Total Harmonic Distortion (THD)	<10%
Lifetime	LM80 L70: >50,000hrs
Ballast IP Rating	IP65
Certifications	Conform to UL 1598 Wet Location
Warranty	3 Year Standard Warranty

### NOMINAL ELECTRICAL AC INPUT

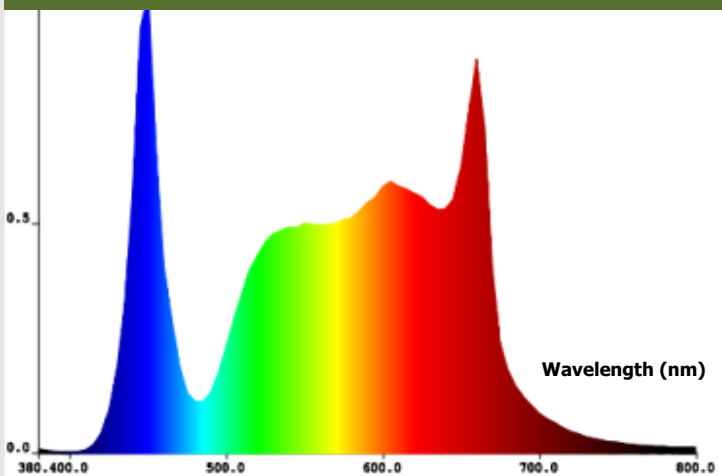
AC VOLTAGE	120V	208V	230V	277V
AC Current	4.14 A	2.36 A	2.12 A	1.77 A
AC Power	495W	486W	483W	480 W
Power Factor	0.997	0.991	0.99	0.98

### NOMINAL ELECTRICAL AC INPUT (Boost Mode) \*

AC VOLTAGE	120V	208V	230V	277V
AC Current	5.00 A	2.85 A	2.13 A	2.14 A
AC Power	599W	588W	484W	580 W
Power Factor	0.997	0.991	0.99	0.98

\* At 77°F ambient temperature & with Tolerance  $\pm 10\%$

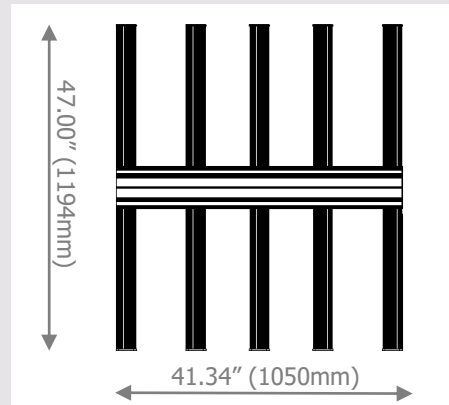
## SPECTRA



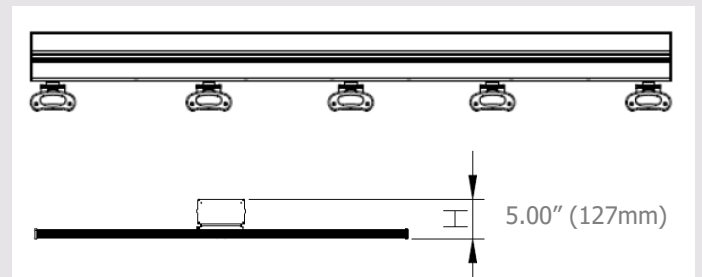
## DIMENSIONS

Parts	Length	Width	Height	Weight
Whole Unit	41.34" 1050mm	47.00" 1194mm	5.00" 127mm	37.8 lbs. 17.15 kg
Ballast Box	41.34" 1050mm	6.06" 154mm	3.50" 88.9mm	16.40 lbs. 7.35 kg
LED Light Bar x 5	47.00" 1194mm	2.88" 73.15mm	1.50" 38.1mm	2.90 lbs. 1.30 kg

### Top View



### Side View



### Maximum Canopy LLC

720 Whitney Street, San Leandro, CA 94577

Tel: +1-415-299-5222

Email: [contact@maximumcanopy.com](mailto:contact@maximumcanopy.com)

<http://www.maximumcanopy.com>

